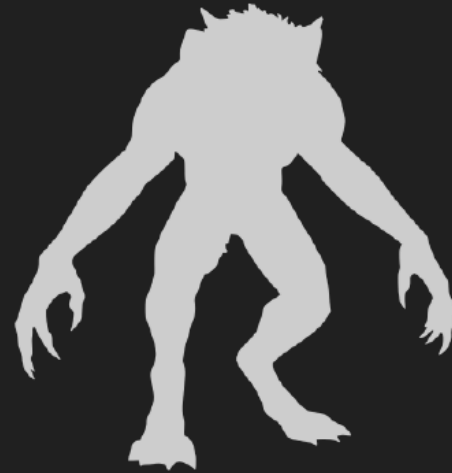


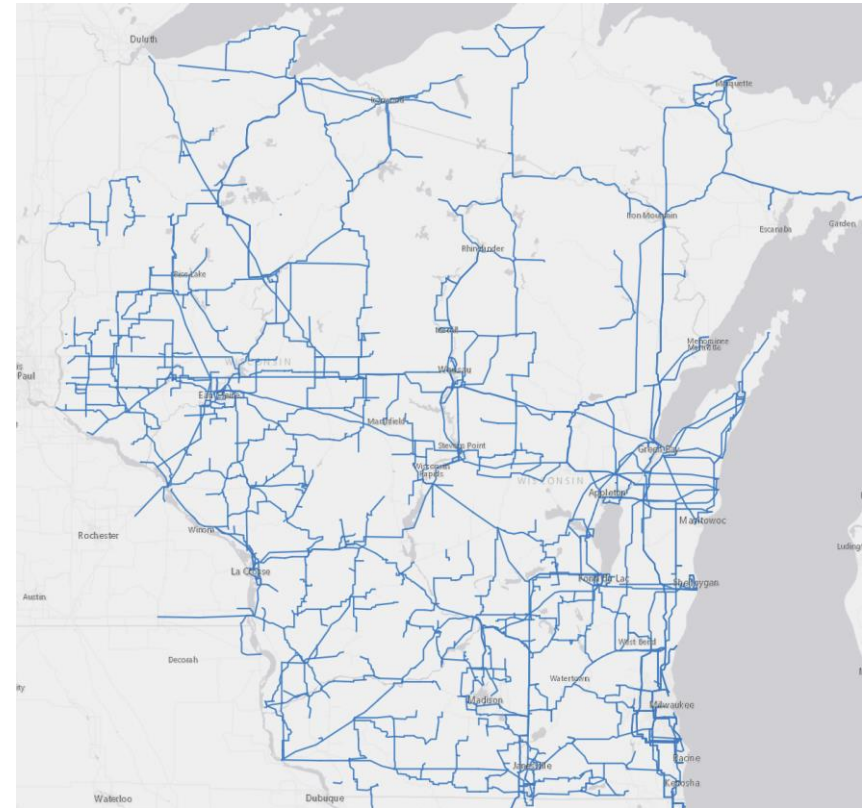
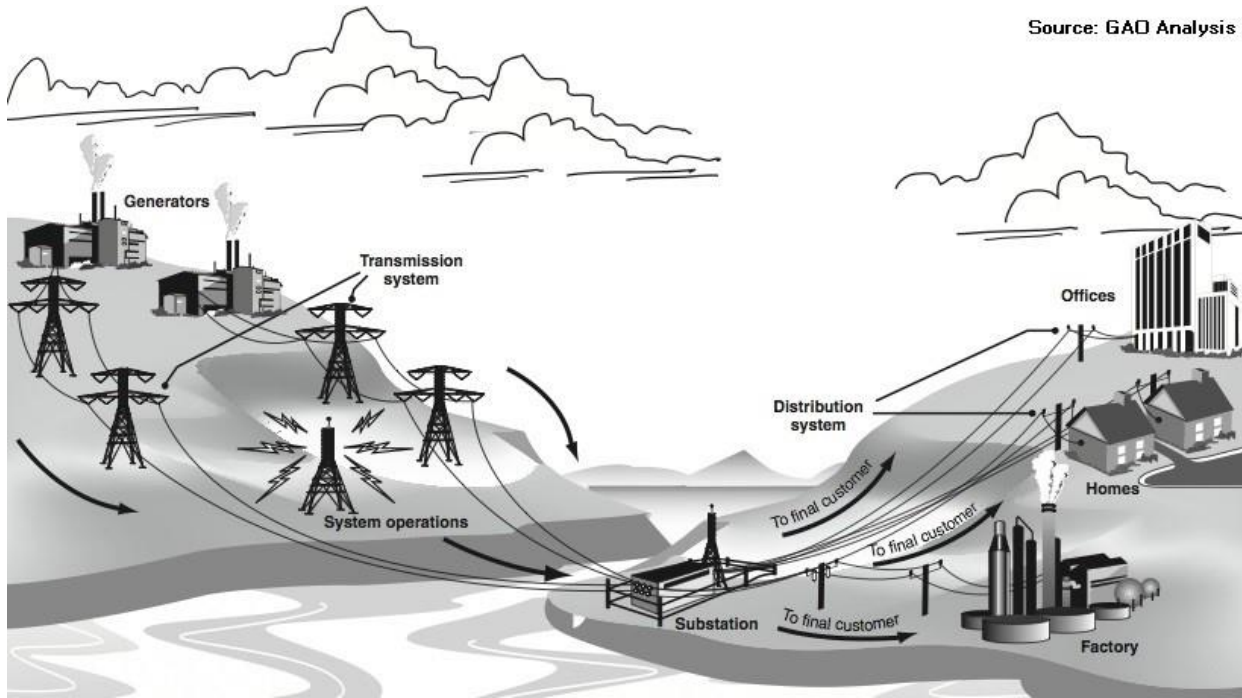
# NIMBY, Nuclear, and Our Sustainable Energy Future: Modeling Competing Energy Policies

Matthew Viens

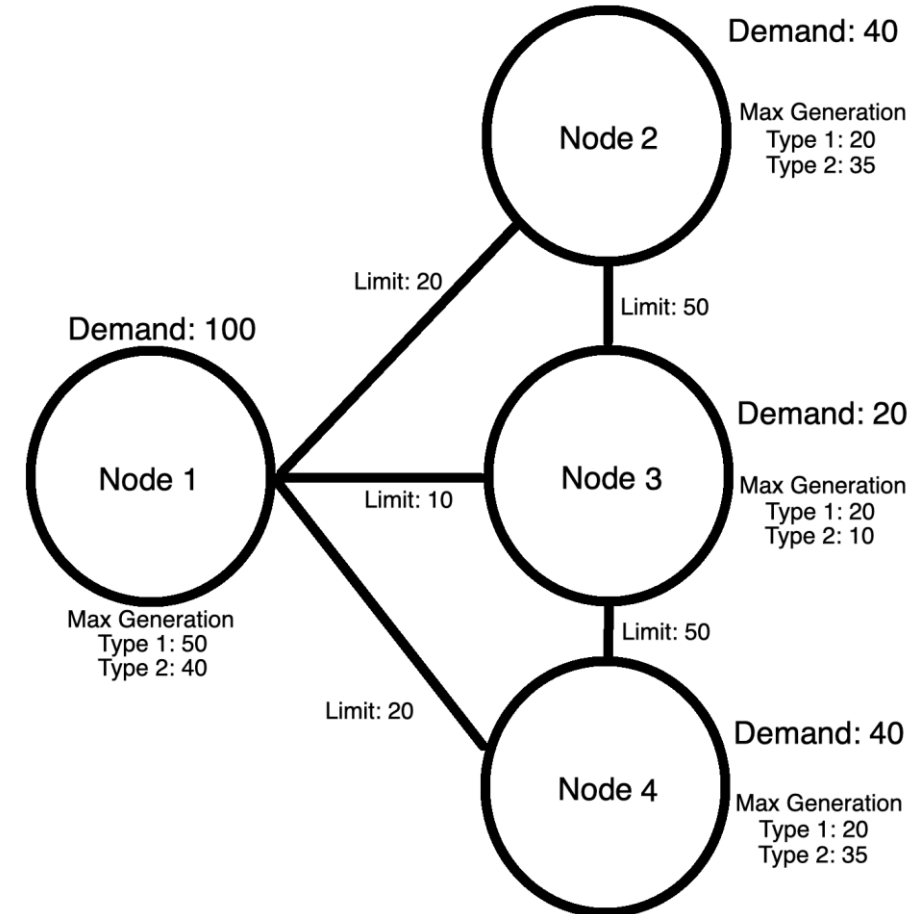
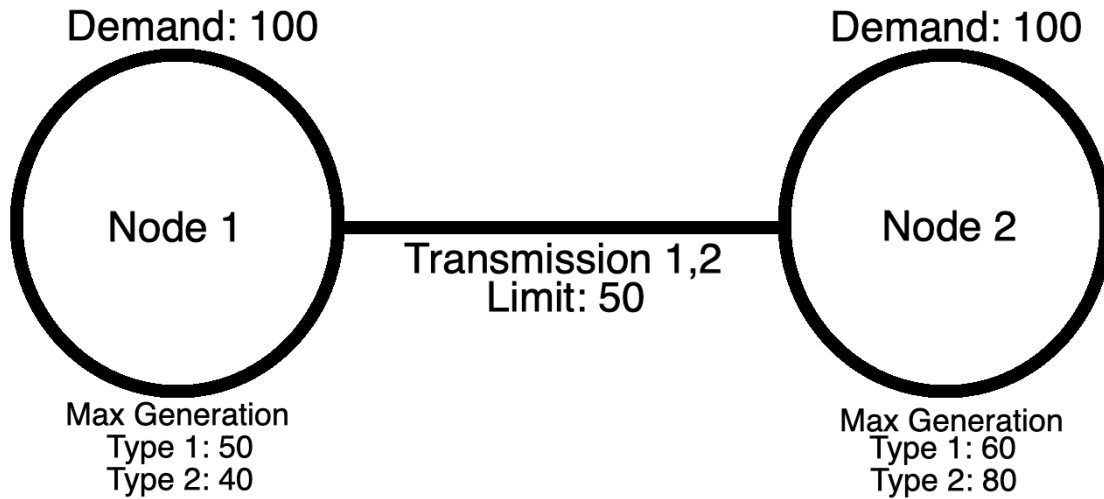
Ferris Group, Werewolf Project



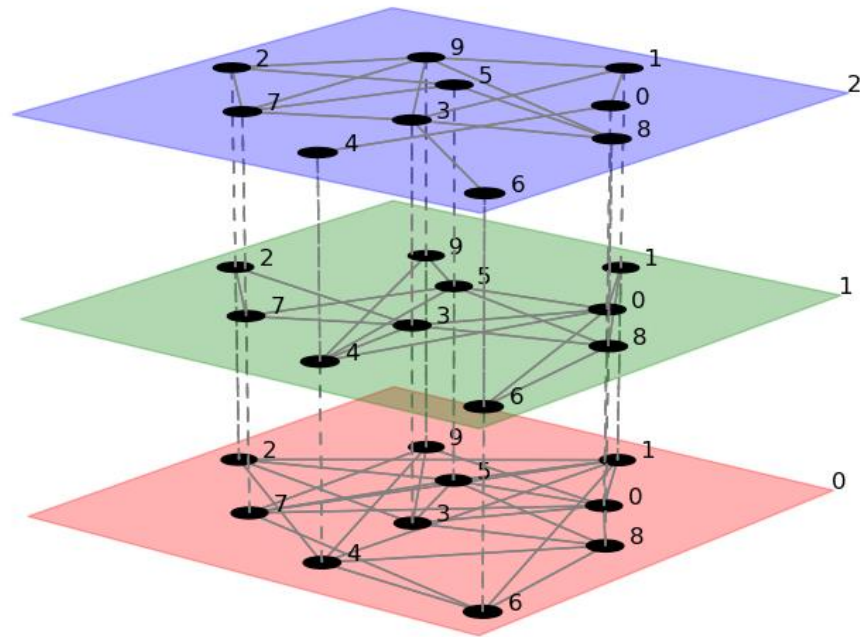
# The Grid: Local and State



# Networks: Simple Examples



# Interaction of Complex Networks & Policies



## Possible Policies

- Carbon Limits
  - Absolute Limits
  - Relative Decrease
  - Almost Sure Scenario Limits
- Nuclear Power Limits
  - No Nuclear
  - Limitation in Cities
  - Unrestricted

# Ways to Engage with Werewolf

---

1. Poster Session at Ferris Group Table
2. Email: [mviens@wisc.edu](mailto:mviens@wisc.edu)
3. Version of Werewolf Tool available Online

We are always interested in new policy considerations to add to our long-term models or engaging with stakeholders



[werewolf.discovery.wisc.edu](http://werewolf.discovery.wisc.edu)